

# CENTURY



CENTURY INDUSTRIES INC.  
5645 Ave. Royalmount  
Montreal, QC CANADA  
H4P 2P9

CENTURYAMADEUS.COM  
CENTURYLIGHTINGHC.COM

FOLLOW US  

@ CENTURYINDUSTRIESLIGHTING  
@ CENTURYHEALTHCARELIGHTING



LOOKBOOK\_CATALOGUE HEALTHCARE 2021

## ARTISANS at Work From Concept to Creation

*Every Architect, Designer & Contractor's Ideal Partnership*

# THE QUADRUPLE C: CREATIVITY, CRAFTSMANSHIP, CAPABILITIES & CUSTOMER SERVICE



We are a team of experienced lighting consultants and craftspeople specializing in the manufacturing of custom decorative lighting with the knowledge and creativity to bring your dreams to reality.

With 75% domestic manufacturing and 25% strategic partnering overseas, we have the capability to service North America and the global market.

We collaborate with you from inspiration and concept, through development and production, during delivery and backed with a 1 year warranty\*.

Company standards: It is our job to take care of you and your clients!



SINCE 1945

## OUR CLIENTS



# CENTURY



CENTURY INDUSTRIES INC.  
5645 Ave. Royalmount  
Montreal, QC CANADA  
H4P 2P9

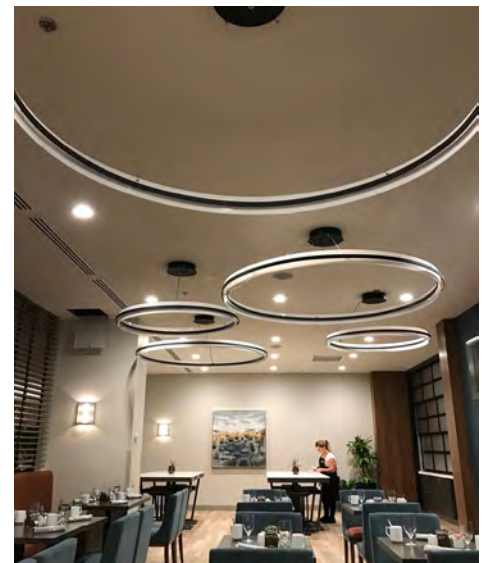
[CENTURYAMADEUS.COM](http://CENTURYAMADEUS.COM)  
[CENTURYLIGHTINGHC.COM](http://CENTURYLIGHTINGHC.COM)

Century Healthcare brings a new solution to the healthcare Lighting market. We strive for the Aesthetic designs of the hospitality Industry to function and thrive in a clinical environment.

Century's Healthcare division specializes in custom-made decorative lighting that is efficient, multi-functional and aesthetically appealing for waiting rooms, common areas, patient quarters and work stations within the healthcare community.

Lighting plays an important role in the well being of humans.

Our mission to deinstitutionalize the industry is accomplished by providing carefully designed fixtures to enhance practicality and patient experience.



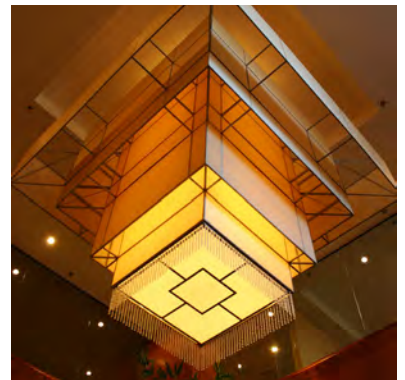
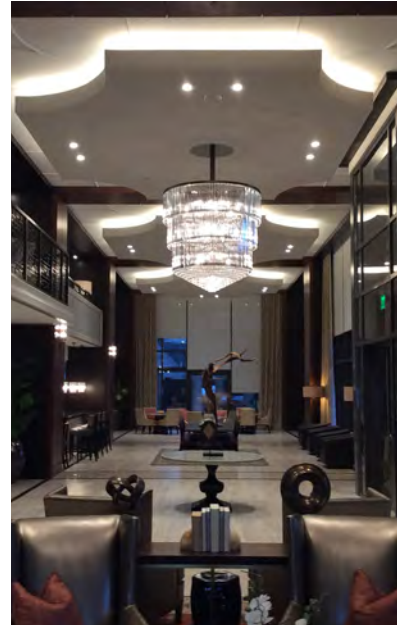
# CENTURY



CENTURY INDUSTRIES INC.  
5645 Ave. Royalmount  
Montreal, QC CANADA  
H4P 2P9

[CENTURYAMADEUS.COM](http://CENTURYAMADEUS.COM)  
[CENTURLIGHTINGHC.COM](http://CENTURLIGHTINGHC.COM)

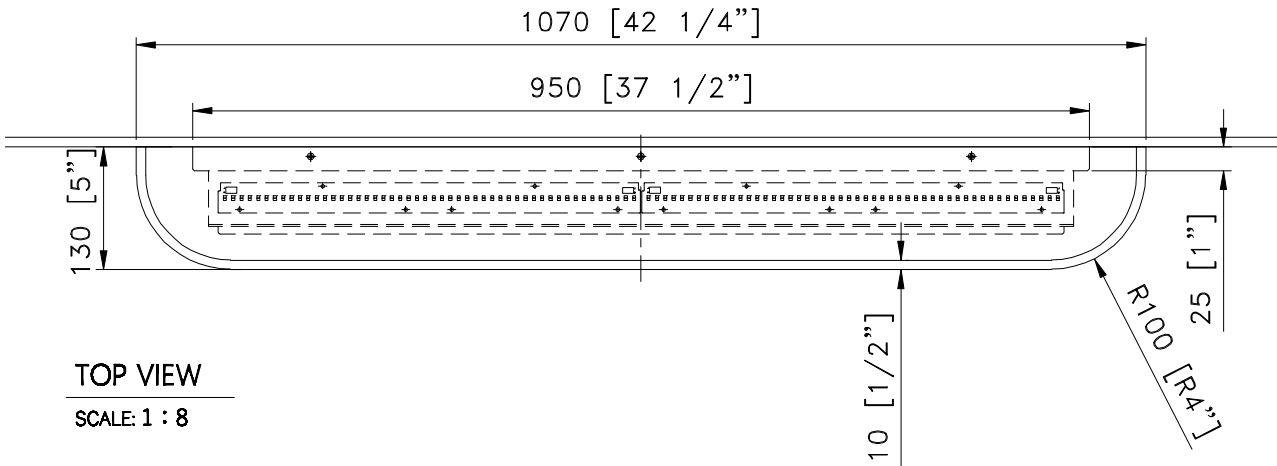
## OUR PROJECTS



**NOTES:**

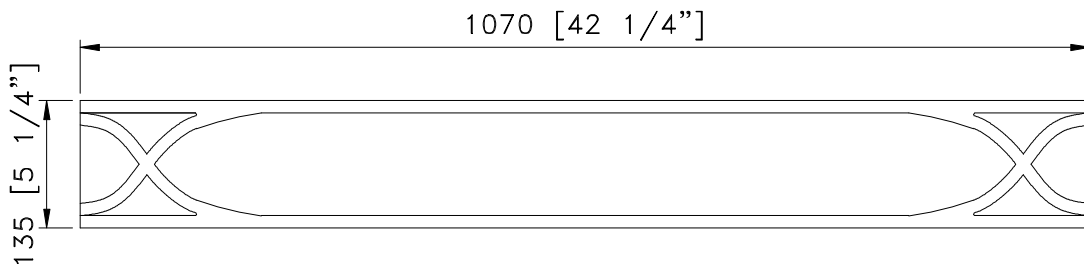
- 1) METAL: ALL EXPOSED METAL FINISH TO BE PLATED "SATIN NICKEL".
- 2) SHADE: "WHITE OPAL" ACRYLIC w/LASER CUT METAL ORNATE DECORATIVE ACCENT.
- 3) LAMPING: AC LINEAR LED 18w (INDIRECT UPLIGHT) + 9w (DIRECT DOWN LIGHT) + 5w (NIGHTLIGHT-FRONT) 3000K.120V.AC. DIMMABLE. DRIVERLESS.
- 4) SWITCH: 1x 4-WAY PULL CHAIN SWITCH TO CONTROL BOTH DIRECT UPLIGHT & INDIRECT DOWNLIGHT.  
1x 2-WAY PULL CHAIN SWITCH TO CONTROL NIGHTLIGHT (FRONT).

HARDWIRED.  
UL/CUL APPROVED.



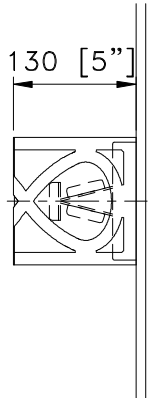
**TOP VIEW**

SCALE: 1 : 8



**FRONT VIEW**

SCALE: 1 : 8



**SIDE VIEW**

SCALE: 1 : 8

**CUSTOM OVERBED LIGHT**

MODEL #: CEN-OTB-01-PL-42-LED

Project Name: \_\_\_\_\_  
 Location: \_\_\_\_\_  
 Quantity: \_\_\_\_\_  
 Required date: \_\_\_\_\_  
 Comments: \_\_\_\_\_  
 \_\_\_\_\_  
 \_\_\_\_\_

**Les Industries CENTURY Industries Inc.**  
 CONTACT US FOR CUSTOMIZATION

Prepared By: \_\_\_\_\_  
 Authorized By: \_\_\_\_\_

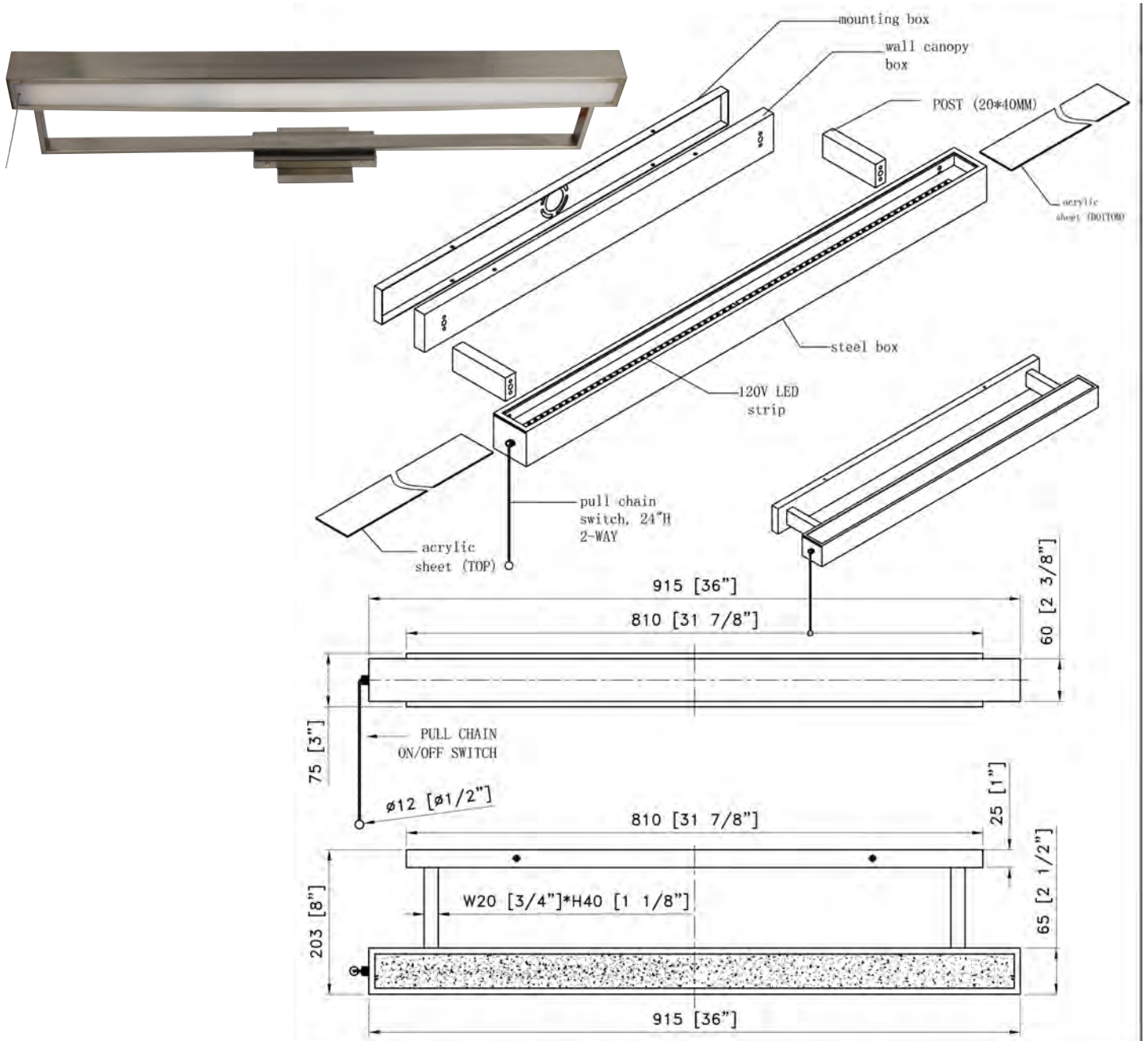
5645 Royalmount Ave.  
 Montreal, Quebec Canada H4P 2P9  
 Tel: 514-842-3933 Fax: 514-842-7481  
 Toll free Canada only: 1-877-842-3934

Estimated 12-14 week lead times are contingent upon receiving approved submittals and are subject to change.

**NOTES:**

- 1) METAL: ALL EXPOSED METAL FINISH TO BE PLATED "SATIN NICKEL".
- 2) LAMPING: INTEGRATED LED 4000K.120V.AC. NON DIMMABLE. DRIVERLESS.
- 3) DIFFUSER: TOP & BOTTOM "FROSTED ACRYLIC".
- 4) SWITCH: 1x ON/OFF PULL CHAIN SWITCH TO CONTROL DOWN LIGHT  
TOP LIGHT TO BE WIRED TO WALL SWITCH.

HARDWIRED.  
UL/CUL APPROVED.



**CUSTOM OVERBED LIGHT**

MODEL #: EW-690

Project Name: \_\_\_\_\_  
 Location: \_\_\_\_\_  
 Quantity: \_\_\_\_\_  
 Required date: \_\_\_\_\_  
 Comments: \_\_\_\_\_  
 \_\_\_\_\_  
 \_\_\_\_\_

**Les Industries CENTURY Industries Inc.**  
 CONTACT US FOR CUSTOMIZATION

Prepared By: \_\_\_\_\_  
 Authorized By: \_\_\_\_\_

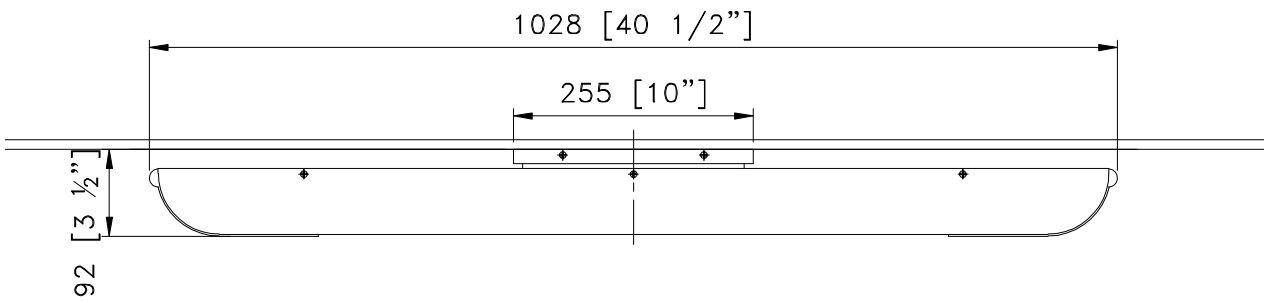
5645 Royalmount Ave.  
 Montreal, Quebec Canada H4P 2P9  
 Tel: 514-842-3933 Fax: 514-842-7481  
 Toll free Canada only: 1-877-842-3934

Estimated 12-14 week lead times are contingent upon receiving approved submittals and are subject to change.

**NOTES:**

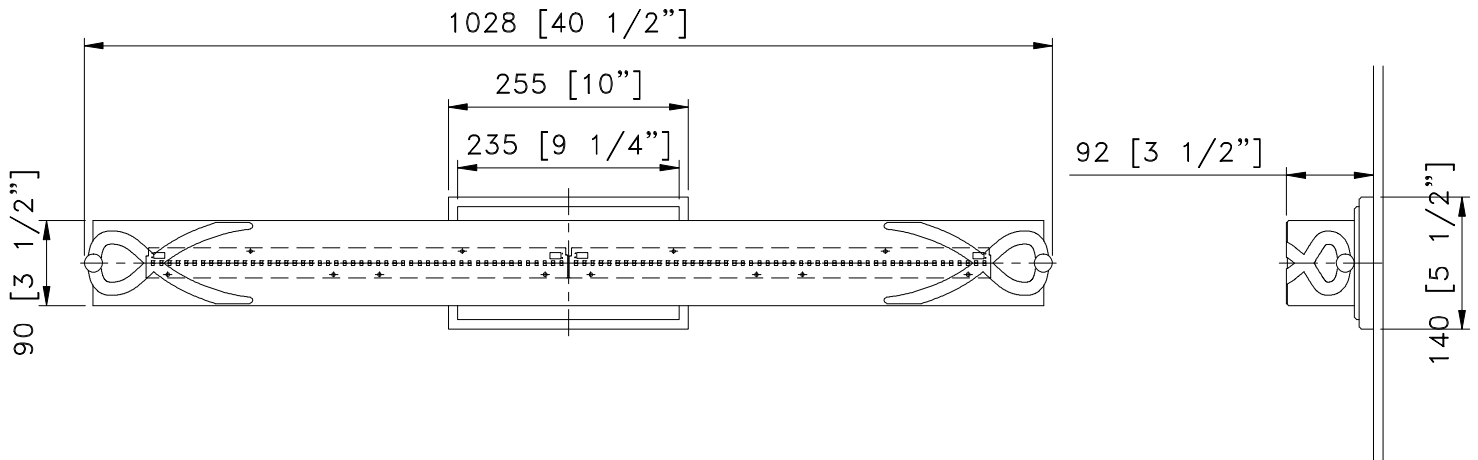
- 1) METAL: ALL EXPOSED METAL FINISH TO BE PLATED "SATIN NICKEL".
- 2) SHADE: "FROSTED WHITE" ACRYLIC (BOTTOM) + "CLEAR" ACRYLIC (TOP) w/METAL ORNATE DECORATIVE ACCENT.
- 3) LAMPING: AC LINEAR LED 18w, 3000K.120V.AC. DIMMABLE. DRIVERLESS.

HARDWIRED.  
 SUITABLE FOR DAMP LOCATIONS.  
 UL/CUL APPROVED.



**TOP VIEW**

SCALE: 1 : 8



**FRONT VIEW**

**SIDE VIEW**

**CUSTOM VANITY LIGHT**

MODEL #: CEN-VWS-01-40-PL-LED

Project Name: \_\_\_\_\_  
 Location: \_\_\_\_\_  
 Quantity: \_\_\_\_\_  
 Required date: \_\_\_\_\_  
 Comments: \_\_\_\_\_  
 \_\_\_\_\_  
 \_\_\_\_\_

**Les Industries CENTURY Industries Inc.**

CONTACT US FOR CUSTOMIZATION

Prepared By: \_\_\_\_\_  
 Authorized By: \_\_\_\_\_

5645 Royalmount Ave.  
 Montreal, Quebec Canada H4P 2P9  
 Tel: 514-842-3933 Fax: 514-842-7481  
 Toll free Canada only: 1-877-842-3934

Estimated 12-14 week lead times are contingent upon receiving approved submittals and are subject to change.

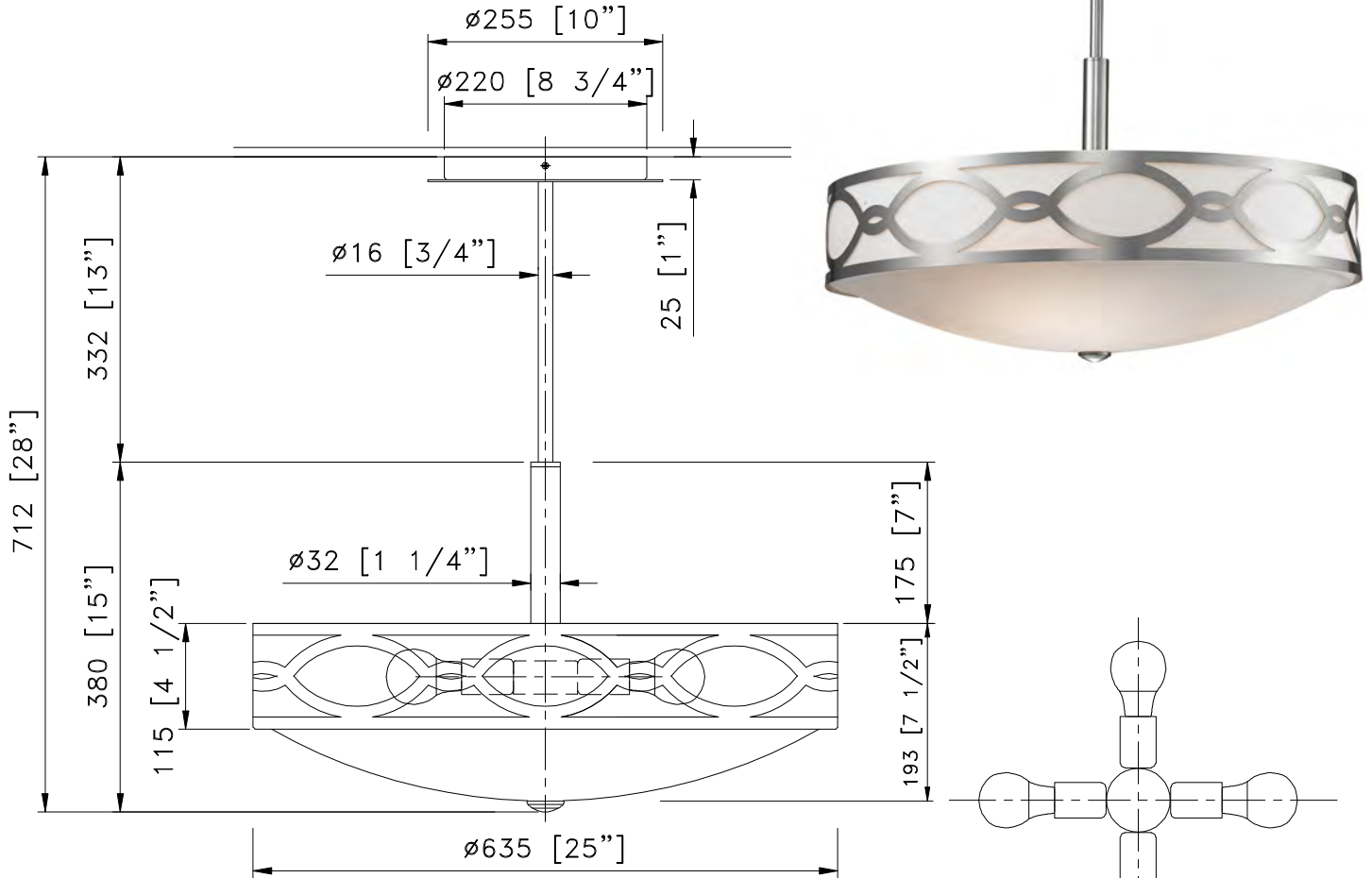




**NOTES:**

- 1) METAL: ALL EXPOSED METAL FINISH TO BE PLATED "SATIN NICKEL".
- 2) SHADE: "FROSTED WHITE" ACRYLIC.
- 3) SOCKETS: 4x EDISON BASE MED. 120V A.C 60HZ  
9W MAX EA. LED COMPATIBLE.

HARDWIRED.  
UL/CUL APPROVED.



**FRONT VIEW**

SCALE: 1 : 8

**BULB LAYOUT**

SCALE: 1 : 8

**CUSTOM PENDANT**

MODEL #: CEN-FX-01-25-PL-4

Project Name: \_\_\_\_\_  
 Location: \_\_\_\_\_  
 Quantity: \_\_\_\_\_  
 Required date: \_\_\_\_\_  
 Comments: \_\_\_\_\_  
 \_\_\_\_\_  
 \_\_\_\_\_

**Les Industries CENTURY Industries Inc.**  
 CONTACT US FOR CUSTOMIZATION

Prepared By: \_\_\_\_\_  
 Authorized By: \_\_\_\_\_

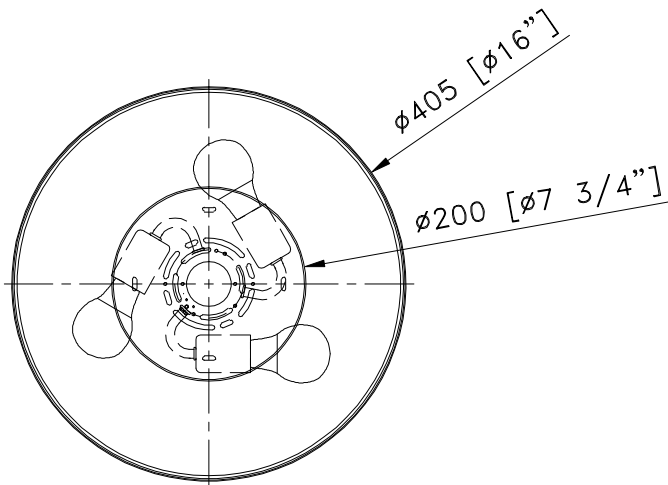
5645 Royalmount Ave.  
 Montreal, Quebec Canada H4P 2P9  
 Tel: 514-842-3933 Fax: 514-842-7481  
 Toll free Canada only: 1-877-842-3934  
 Estimated 12-14 week lead times are contingent upon receiving approved submittals and are subject to change.

NOTES:

- 1) METAL: ALL EXPOSED METAL FINISH TO BE PLATED "SATIN NICKEL".
- 2) SHADE: "FROSTED WHITE" ACRYLIC.
- 3) SOCKETS: 3x EDISON BASE MED. 120V A.C 60HZ  
9W MAX EA. LED COMPATIBLE.

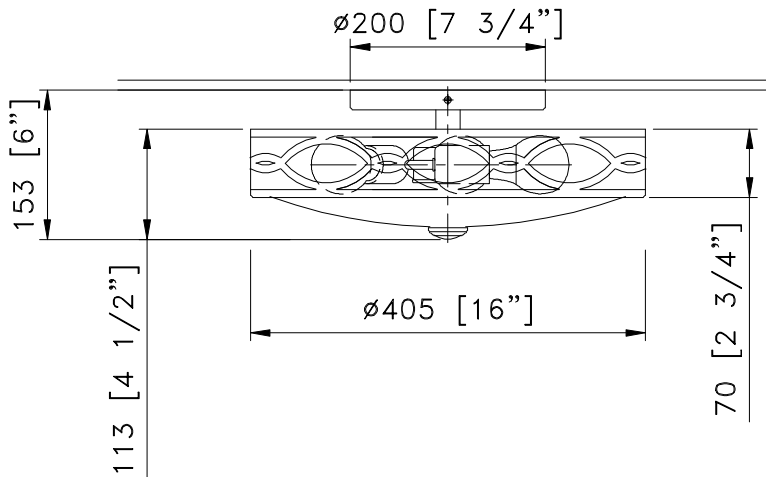
HARDWIRED.

UL/CUL APPROVED.



TOP VIEW

SCALE: 1 : 8



FRONT VIEW

SCALE: 1 : 8

**CUSTOM PENDANT**

MODEL #: CEN-FX-01-25-PL-4

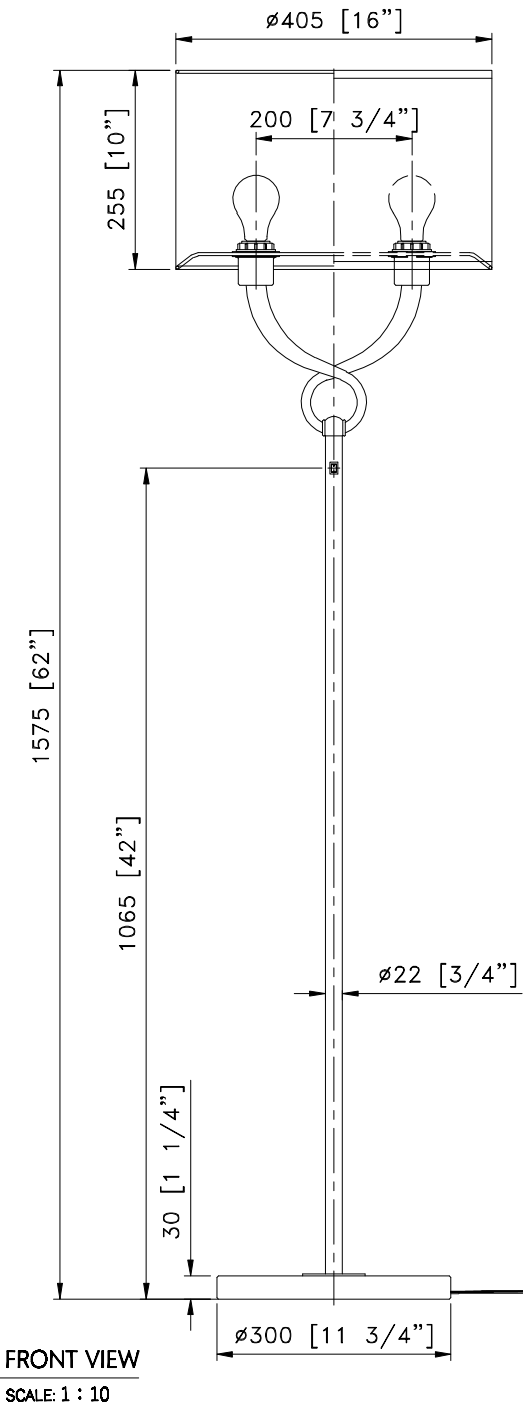
**Les Industries CENTURY Industries Inc.**  
CONTACT US FOR CUSTOMIZATION

Project Name: \_\_\_\_\_  
 Location: \_\_\_\_\_  
 Quantity: \_\_\_\_\_  
 Required date: \_\_\_\_\_  
 Comments: \_\_\_\_\_  
 \_\_\_\_\_  
 \_\_\_\_\_

Prepared By: \_\_\_\_\_  
 Authorized By: \_\_\_\_\_

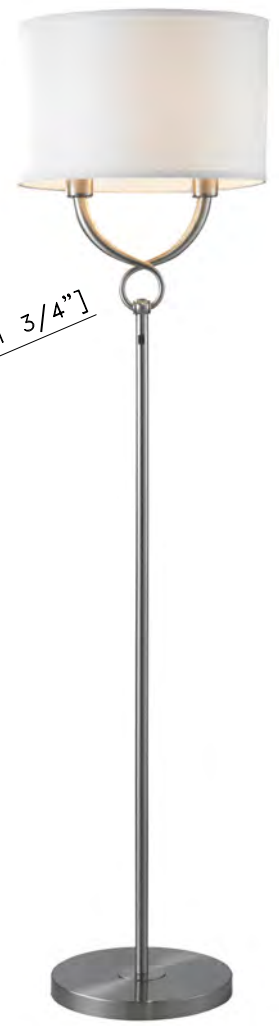
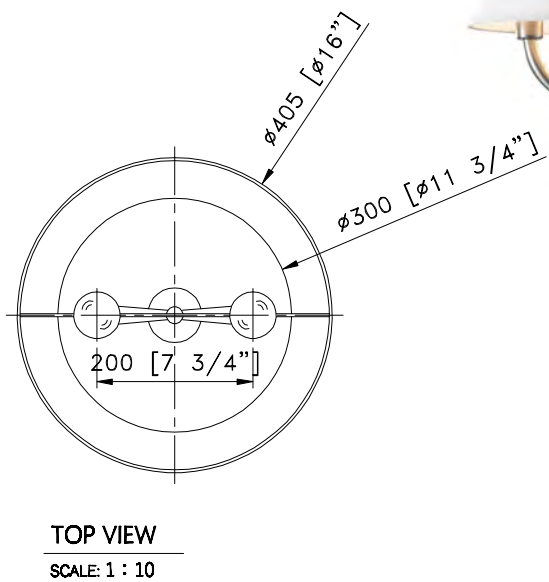
5645 Royalmount Ave.  
 Montreal, Quebec Canada H4P 2P9  
 Tel: 514-842-3933 Fax: 514-842-7481  
 Toll free Canada only: 1-877-842-3934

Estimated 12-14 week lead times are contingent upon receiving approved submittals and are subject to change.



NOTES:

- 1) METAL: ALL EXPOSED METAL FINISH TO BE PLATED "SATIN NICKEL".
- 2) SHADE: WASHABLE TRILAM "HARDBACK STYRENE, WHITE LINEN".  
1/2" TRIM AT TOP & BOTTOM OF SHADE.
- 3) SOCKETS: 2x EDISON BASE MED. 120V A.C 60HZ  
9W MAX EA. LED COMPATIBLE.
- 4) WIRE: 8'-0" HOSPITAL GRADE BLACK CORD & END PLUG.  
UL/CUL APPROVED.



**CUSTOM FLOOR LAMP**

MODEL #: CEN-FL-01-PL

Project Name: \_\_\_\_\_  
 Location: \_\_\_\_\_  
 Quantity: \_\_\_\_\_  
 Required date: \_\_\_\_\_  
 Comments: \_\_\_\_\_  
 \_\_\_\_\_  
 \_\_\_\_\_

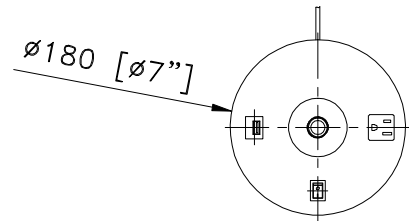
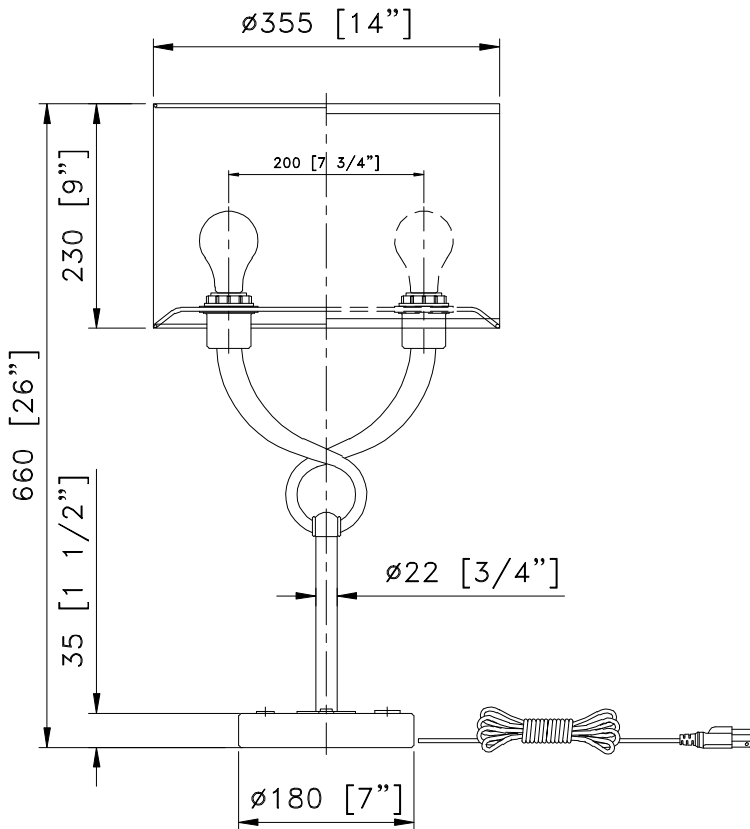
**Les Industries CENTURY Industries Inc.**

CONTACT US FOR CUSTOMIZATION

Prepared By: \_\_\_\_\_  
 Authorized By: \_\_\_\_\_  
 5645 Royalmount Ave.  
 Montreal, Quebec Canada H4P 2P9  
 Tel: 514-842-3933 Fax: 514-842-7481  
 Toll free Canada only: 1-877-842-3934  
 Estimated 12-14 week lead times are contingent upon receiving approved submittals and are subject to change.

NOTES:

- 1) METAL: ALL EXPOSED METAL FINISH TO BE PLATED "SATIN NICKEL".
- 2) SHADE: WASHABLE TRILAM "HARDBACK STYRENE,WHITE LINEN".  
w/ 1/2" TRIM AT THE TOP & BOTTOM.
- 3) SOCKETS: 2x EDISON BASE MED. 120V A.C 60HZ  
9W MAX EA. LED COMPATIBLE.
- 4) SWITCH: 1x BLACK "ON/OFF" ROCKER SWITCH ON BASE.
- 5) ELECTRICAL OUTLET: 1x CONVENIENCE OUTLET ON BASE.
- 6) USB: 1x USB PORT ON BASE.
- 7) WIRE: 8'-0" HOSPITAL GRADE BLACK CORD & END PLUG.  
HARDWIRED.  
UL/CUL APPROVED.



**BASE LAYOUT**

SCALE: 1 : 8

**FRONT VIEW**

SCALE: 1 : 8

**CUSTOM TABLE LAMP**

MODEL #: CEN-TL-01-PL

Project Name: \_\_\_\_\_  
 Location: \_\_\_\_\_  
 Quantity: \_\_\_\_\_  
 Required date: \_\_\_\_\_  
 Comments: \_\_\_\_\_  
 \_\_\_\_\_  
 \_\_\_\_\_

**Les Industries CENTURY Industries Inc.**

CONTACT US FOR CUSTOMIZATION

Prepared By: \_\_\_\_\_  
 Authorized By: \_\_\_\_\_

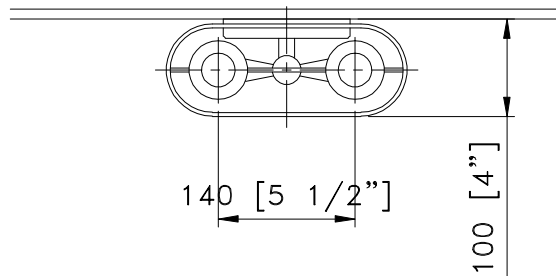
5645 Royalmount Ave.  
 Montreal, Quebec Canada H4P 2P9  
 Tel: 514-842-3933 Fax: 514-842-7481  
 Toll free Canada only: 1-877-842-3934

Estimated 12-14 week lead times are contingent upon receiving approved submittals and are subject to change.

**NOTES:**

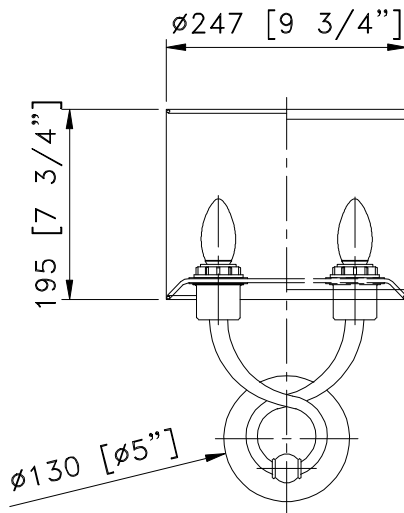
- 1) METAL: ALL EXPOSED METAL FINISH TO BE PLATED "SATIN NICKEL".
- 2) SHADE: WASHABLE TRILAM "HARDBACK STYRENE, WHITE LINEN".  
w/ 1/2" TRIM AT THE TOP & BOTTOM.
- 3) SOCKETS: 2x EDISON BASE MED. 120V A.C 60HZ  
9W MAX EA. LED COMPATIBLE.

HARDWIRED.  
UL/CUL APPROVED.



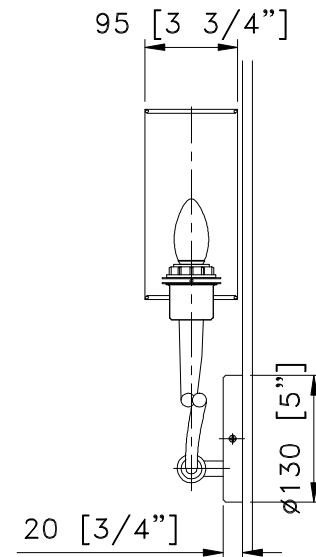
**TOP VIEW**

SCALE: 1 : 8



**FRONT VIEW**

SCALE: 1 : 8



**SIDE VIEW**

SCALE: 1 : 8

**CUSTOM WALL SCONCE**

MODEL #: CEN-WS-01-1610-PL-2

Project Name: \_\_\_\_\_  
 Location: \_\_\_\_\_  
 Quantity: \_\_\_\_\_  
 Required date: \_\_\_\_\_  
 Comments: \_\_\_\_\_  
 \_\_\_\_\_  
 \_\_\_\_\_

**Les Industries CENTURY Industries Inc.**

CONTACT US FOR CUSTOMIZATION

Prepared By: \_\_\_\_\_  
 Authorized By: \_\_\_\_\_

5645 Royalmount Ave.  
 Montreal, Quebec Canada H4P 2P9  
 Tel: 514-842-3933 Fax: 514-842-7481  
 Toll free Canada only: 1-877-842-3934

Estimated 12-14 week lead times are contingent upon receiving approved submittals and are subject to change.

# ADA WALLSCONCES



**WS-203-2**  
Ⓞ 4" x 7" Ⓢ 15"



**WS-208-1**  
Ⓞ 4" x 5" Ⓢ 14"



**WS-209-2**  
Ⓞ 4" x 6.5" Ⓢ 17"



**WS-202-2**  
Ⓞ 4" x 9" Ⓢ 11"



**WS-212-1**  
Ⓞ 4" x 7" Ⓢ 13"



**WS-213-1**  
Ⓞ 4" x 4" Ⓢ 17"

# ADA WALLSCONCES



**WS-204-2**  
Ⓢ 4" x 7" Ⓢ 13"



**WS-210-2**  
Ⓢ 4" x 7" Ⓢ 13"



**WS-207-2**  
Ⓢ 4" x 7" Ⓢ 13"



**WS-206-2**  
Ⓢ 4" x 7" Ⓢ 13"



**WS-205-2**  
Ⓢ 4" x 7.5" Ⓢ 12"



**WS-211-2**  
Ⓢ 4" x 7" Ⓢ 13"

## OVER THE BED & VANITY



Model #: EW-1610      Dimension: 36" X 6"      Lamping: 20W 4000K



Model #: CEN-VWS-01-40-PL      Dimension: 36" X 6"      Lamping: 18W 3000K



Model #: CS-1094      Dimension: 4" x 5" x 36"  
Model #: 80033      Dimension: 4" x 5" x 34"



Model #: EW-502      Dimension: 4" x 4" x 24"



Model #: EW-50078-L      Dimension: 36" x 10"      Lamping: 20W 4000K



Model #: EW-50078-S      Dimension: 20" x 9"      Lamping: 12W 4000K



# CUSTOM SHADE

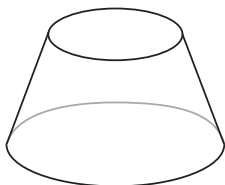
## REPLACEMENT SHADES FOR ANY SIZE, SHAPE OR MATERIAL

### *TRI-LAM MATERIAL AVAILABLE*

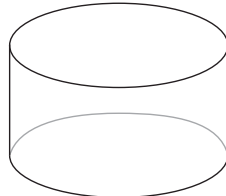
#### SHADE TYPES



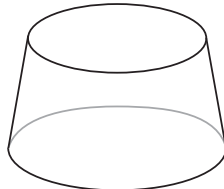
Bell



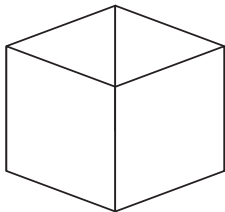
Empire



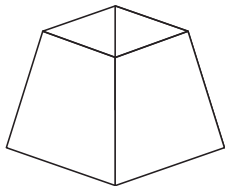
Drum



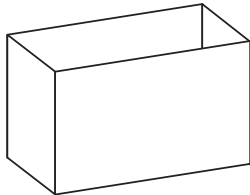
Tapered Drum



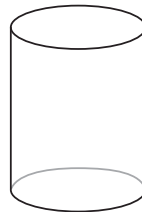
Square or Cube



Empire Square



Rectangle

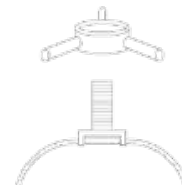


Cylinder

#### SHADE FITTINGS



Bulb Clip  
(Candle)



Harp Fitter



Euro Fitter



Washer & Spider



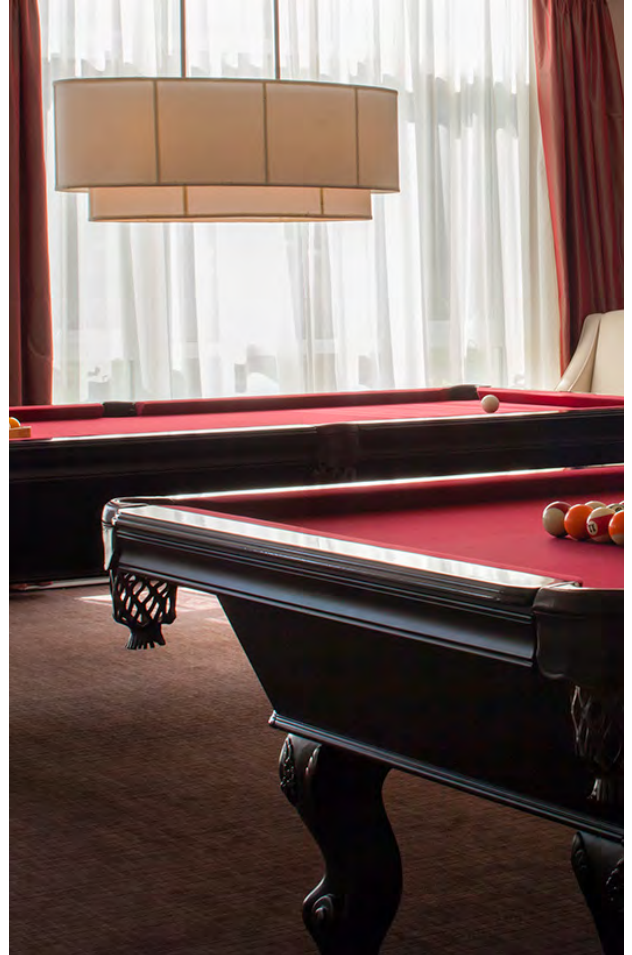
Hurricane / Chimney

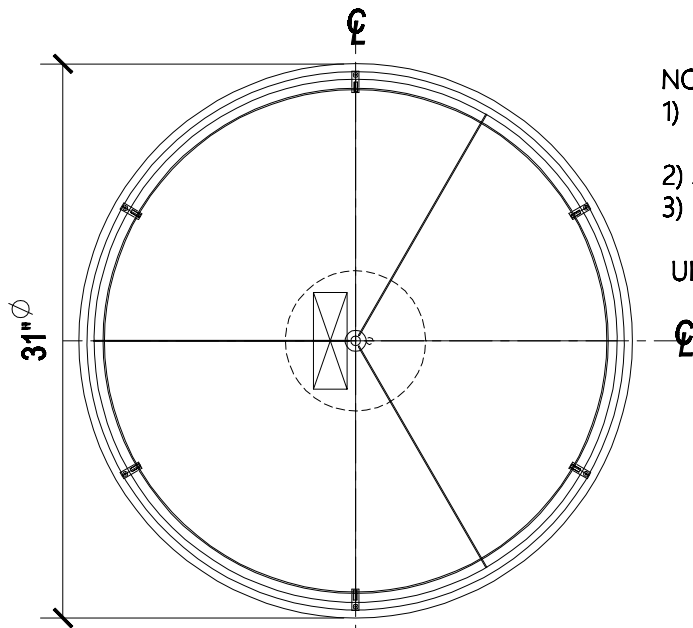


Reflector Bowl

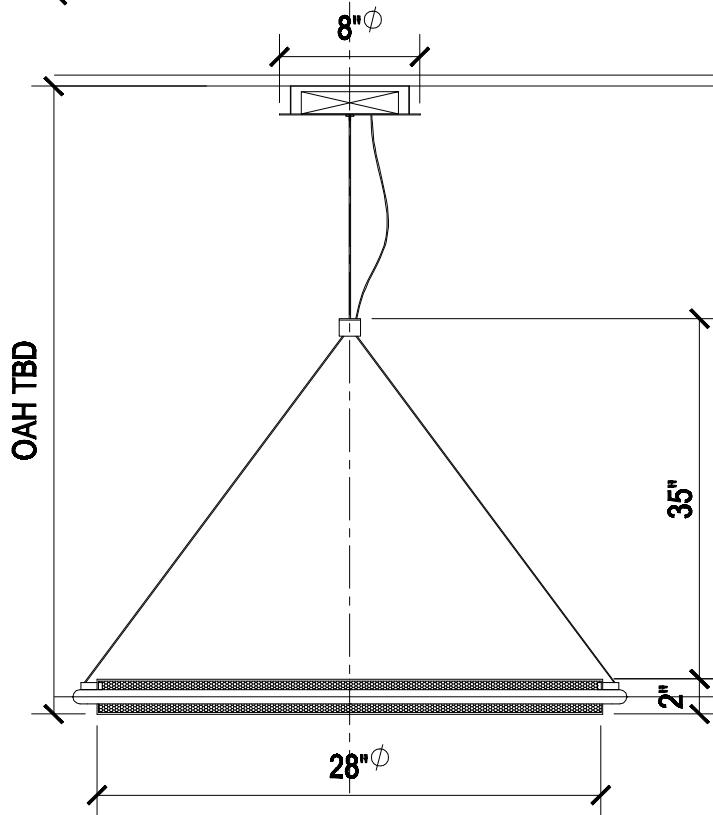


Slip UNO





**TOP VIEW**



**SIDE VIEW**

**NOTES:**

- 1) METAL: ALL EXPOSED METAL TO BE PAINTED "DARK COFFEE COLOR" FINISH.
- 2) SHADE: METAL MESH RING PAINTED "GOLD" FINISH.
- 3) LAMPING: INTEGRATED LED STRIP LIGHTING, 50W, 3000K. DRIVER IN CANOPY. UL/CSA APPROVED.



**CUSTOM FIXTURE**

MODEL #: 50079

Project Name: \_\_\_\_\_  
 Location: \_\_\_\_\_  
 Quantity: \_\_\_\_\_  
 Required date: \_\_\_\_\_  
 Comments: \_\_\_\_\_  
 \_\_\_\_\_  
 \_\_\_\_\_

**Les Industries CENTURY Industries Inc.**  
 CONTACT US FOR CUSTOMIZATION

Prepared By: \_\_\_\_\_  
 Authorized By: \_\_\_\_\_

5645 Royalmount Ave.  
 Montreal, Quebec Canada H4P 2P9  
 Tel: 514-842-3933 Fax: 514-842-7481  
 Toll free Canada only: 1-877-842-3934

Estimated 12-14 week lead times are contingent upon receiving approved submittals and are subject to change.



Model #: EW-1509



Model #: EW-50079

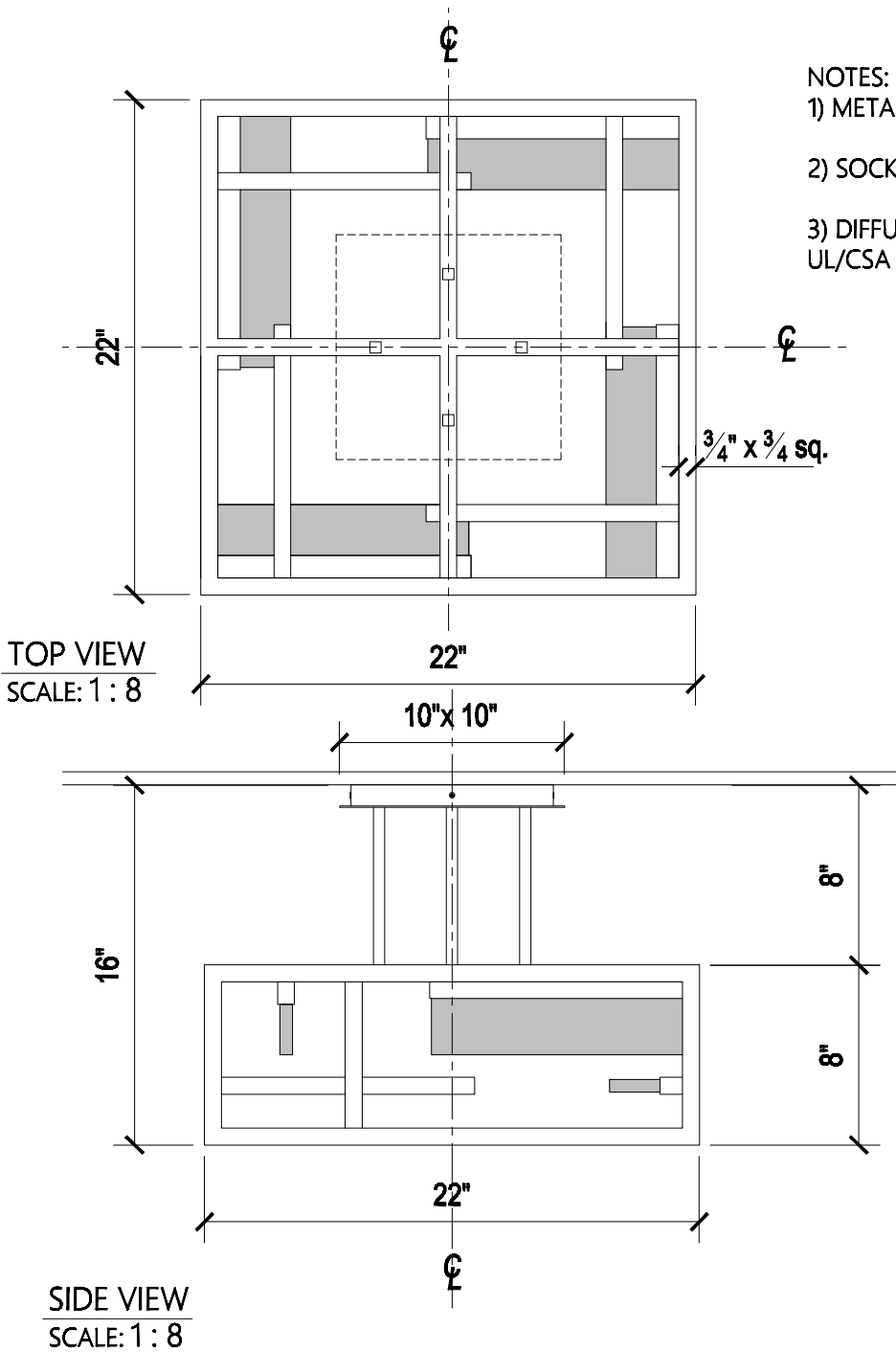


Model #: EW-50088



**NOTES:**

- 1) METAL: ALL EXPOSED METAL TO BE POWDERCOAT "SATIN GOLD" FINISH.
- 2) SOCKETS: INTEGRATED LED LIGHTING, 120V. 60W. 3000K, DRIVER IN CANOPY.
- 3) DIFFUSER: "FROSTED ACRYLIC". UL/CSA APPROVED.



<p><b>CUSTOM FIXTURE</b> MODEL #: 50115</p> <p>Project Name: _____</p> <p>Location: _____</p> <p>Quantity: _____</p> <p>Required date: _____</p> <p>Comments: _____</p> <p>_____</p> <p>_____</p>	<p><b>Les Industries CENTURY Industries Inc.</b> CONTACT US FOR CUSTOMIZATION</p> <p>Prepared By: _____</p> <p>Authorized By: _____</p> <p>5645 Royalmount Ave. Montreal, Quebec Canada H4P 2P9 Tel: 514-842-3933 Fax: 514-842-7481 Toll free Canada only: 1-877-842-3934</p> <p>Estimated 12-14 week lead times are contingent upon receiving approved submittals and are subject to change.</p>
---	---



Model #: 50127  
 Dimension: 31"D X 47"H  
 Lamping: LED 3200K



Model #: EWF5 - 60"D  
 Model #: EWF6 - 72"D  
 Model #: EWF7 - 84"D  
 Lamping: LED 3200K



Model #: 50126  
 Dimension: 31"D - 24" - 16"  
 LED 3200K



Model #: MD817-3BM  
 Dimension: 16"D- 24"- 31" X 36"H  
 Lamping: LED 4000K



Model #: MD1387-M  
 Dimension: 28"D  
 Lamping: LED 4000K



Model #: MD817C-1L  
 Dimension: 31"D  
 Lamping: LED 4000K

# CENTURY



CENTURY INDUSTRIES INC.  
5645 Ave. Royalmount  
Montreal, QC CANADA  
H4P 2P9

[CENTURYAMADEUS.COM](http://CENTURYAMADEUS.COM)  
[CENTURYLIGHTINGHC.COM](http://CENTURYLIGHTINGHC.COM)



## PENDANT

Model #: EW-50013  
Dimension: 18" D

Model #: EW-50012  
Dimension: 24" D

Lamping: 1x E26

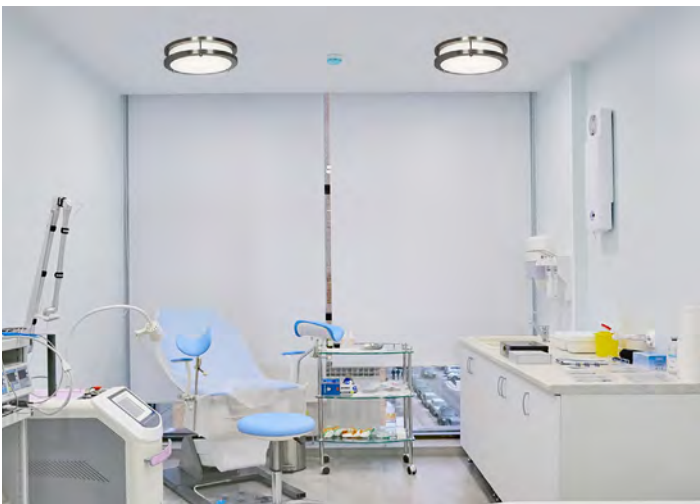


# CENTURY



CENTURY INDUSTRIES INC.  
5645 Ave. Royalmount  
Montreal, QC CANADA  
H4P 2P9

[CENTURYAMADEUS.COM](http://CENTURYAMADEUS.COM)  
[CENTURLIGHTINGHC.COM](http://CENTURLIGHTINGHC.COM)



# CENTURY



CENTURY INDUSTRIES INC.  
5645 Ave. Royalmount  
Montreal, QC CANADA  
H4P 2P9

CENTURYAMADEUS.COM  
CENTURYLIGHTINGHC.COM



Model #: EW-302  
Dimension: 16"D X 3"H



Model #: EW-303  
Dimension: 16"D X 9"H

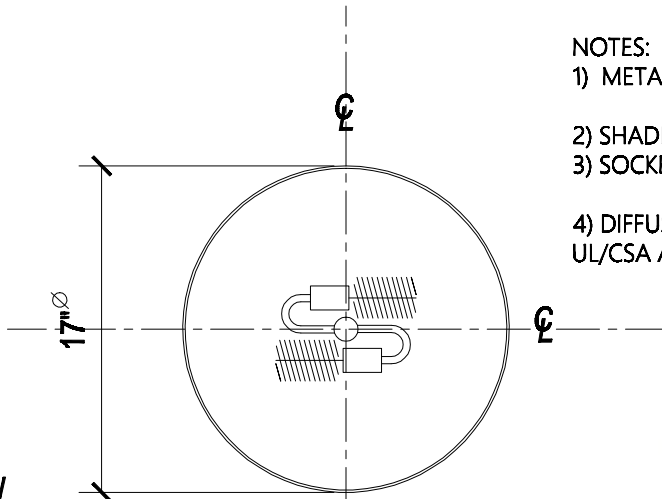


Model #: EW-304  
Dimension: 12"D X 3.75"H

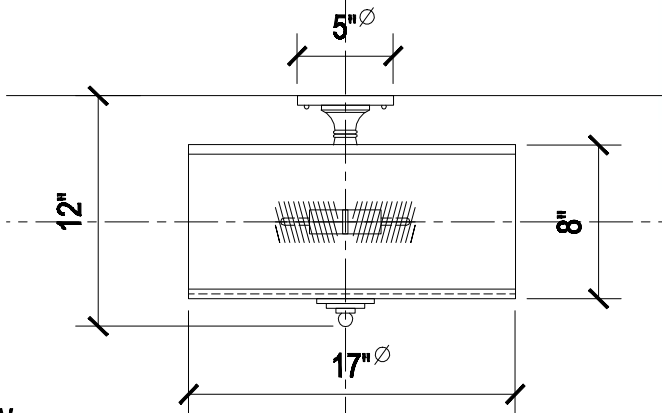


NOTES:

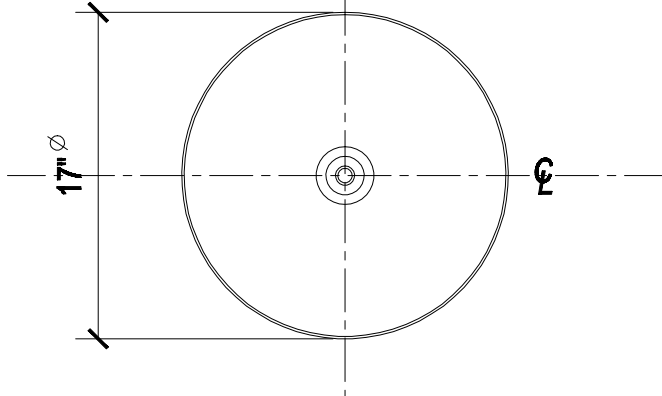
- 1) METAL: ALL EXPOSED METAL EXCEPT SHADE FRAME, TO BE PLATED "POLISHED NICKEL" FINISH.
- 2) SHADE: WASHABLE TRILAM, "HARDBACK STYRENE, WHITE LINEN".
- 3) SOCKETS: 2x "EDISON" BASE MEDIUM, 120V A.C 60 HZ  
13 w ea. MAX. LED COMPATIBLE.
- 4) DIFFUSER: BOTTOM "WHITE ACRYLIC".  
UL/CSA APPROVED.



**TOP VIEW**  
SCALE: 1 : 10



**SIDE VIEW**



**BOTTOM VIEW**  
SCALE: 1 : 10



**CUSTOM SEMI FLUSHMOUNT**

MODEL #: 80055

Project Name: \_\_\_\_\_  
 Location: \_\_\_\_\_  
 Quantity: \_\_\_\_\_  
 Required date: \_\_\_\_\_  
 Comments: \_\_\_\_\_  
 \_\_\_\_\_  
 \_\_\_\_\_

**Les Industries CENTURY Industries Inc.**  
 CONTACT US FOR CUSTOMIZATION

Prepared By: \_\_\_\_\_  
 Authorized By: \_\_\_\_\_

5645 Royalmount Ave.  
 Montreal, Quebec Canada H4P 2P9  
 Tel: 514-842-3933 Fax: 514-842-7481  
 Toll free Canada only: 1-877-842-3934

Estimated 12-14 week lead times are contingent upon receiving approved submittals and are subject to change.



Model #: EW-50014

Dimension: 28" L X 28" W X 28" H  
Lamping: G9 LED 8X



Model #: EW-50051

Dimension: 55" D X 75" H  
Lamping: G4 -6X HALOGEN X 20W

# CENTURY



CENTURY INDUSTRIES INC.  
5645 Ave. Royalmount  
Montreal, QC CANADA  
H4P 2P9

[CENTURYAMADEUS.COM](http://CENTURYAMADEUS.COM)  
[CENTURYLIGHTINGHC.COM](http://CENTURYLIGHTINGHC.COM)

---



Model #: EW-50051

Dimension: 55"D X 75"H  
Lamping: G4 -6X HALOGEN X 20W



Model #: EW-50052

Dimension: 55"D X 75"H  
Lamping: G4 -6X HALOGEN X 20W

**20117**  
SATIN GOLD  
12" D X 65.5" H  
E26 X 1 X 100W

DEL  
LED



**20118**  
BLACK  
6" L X 6" W X 73" H  
LED 25 WATT, 4000K

# CENTURY



CENTURY INDUSTRIES INC.  
5645 Ave. Royalmount  
Montreal, QC CANADA  
H4P 2P9

CENTURYAMADEUS.COM  
CENTURYLIGHTINGHC.COM



Model #: FL46WD-AB (walnut)  
Model #: FL46WD-BK (black)

Dimension: 16" D X 62" H  
Lamping: E26 1X 100W  
2x USB port chargers - wireless charger



Model #: EW-103-T2  
Dimension: 15" W X 30" H  
Lamping: E26 1X 100W



Model #: EW-61WD-DB  
Dimension: 15" W X 30" H  
Lamping: E26 1X 100W

# CENTURY



CENTURY INDUSTRIES INC.  
5645 Ave. Royalmount  
Montreal, QC CANADA  
H4P 2P9

[CENTURYAMADEUS.COM](http://CENTURYAMADEUS.COM)  
[CENTURYLIGHTINGHC.COM](http://CENTURYLIGHTINGHC.COM)



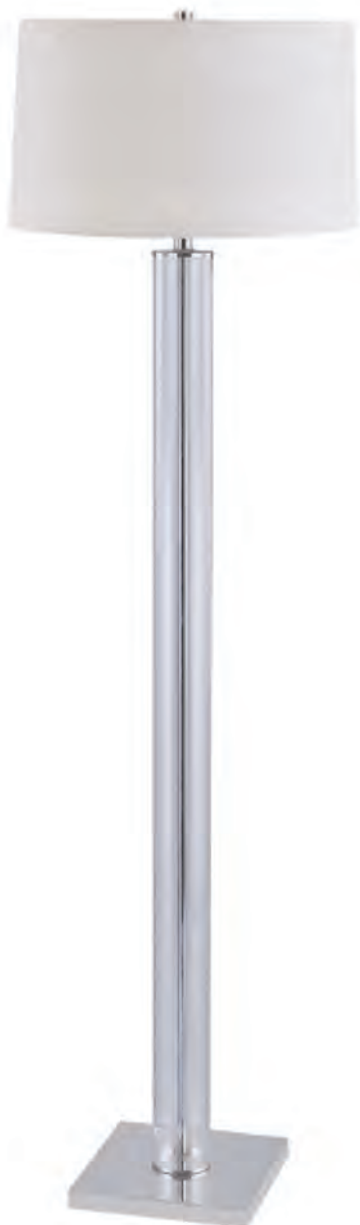
**70002-3PK**  
SATIN NICKEL  
TABLE: 15" D X 27" H  
FLOOR: 16" D X 60" H  
E26 X 150 WATT MAX X 1

# CENTURY



CENTURY INDUSTRIES INC.  
5645 Ave. Royalmount  
Montreal, QC CANADA  
H4P 2P9

[CENTURYAMADEUS.COM](http://CENTURYAMADEUS.COM)  
[CENTURYLIGHTINGHC.COM](http://CENTURYLIGHTINGHC.COM)



**FL97WD-PN**  
GLASS/POLISHED NICKEL  
18" D x 65" H  
E26 x 1 x 100W



**TL95WD-PN**  
GLASS/POLISHED NICKEL  
15" D x 28" H  
E26 x 1 x 100W



**TL95WD-AB**  
GLASS/ANTIQUE BRASS  
15" D x 28" H  
E26 x 1 x 100W



**FL97WD-AB**  
GLASS/ANTIQUE BRASS  
18" D x 65" H  
E26 x 1 x 100W



**A17HG4060S**  
HAND PAINTED CANVAS ART  
SILVER  
40" x 60"



**A19HG4060C**  
HAND PAINTED CANVAS ART  
CHAMPAGNE  
40" x 60"



**A22HG4060C**  
HAND PAINTED CANVAS ART  
CHAMPAGNE  
40" x 60"



**A04HG4060S**  
HAND PAINTED CANVAS ART  
SILVER  
40" x 60"



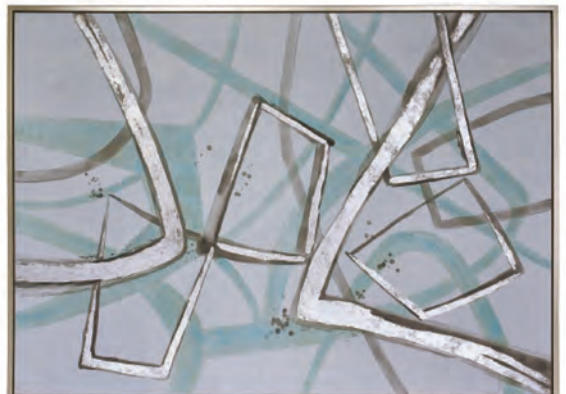
**A06HG4060C**  
HAND PAINTED CANVAS ART  
CHAMPAGNE  
40" x 60"



**A18HG5070S**  
HAND PAINTED CANVAS ART  
SILVER  
50" x 70"



**A16HG5070C**  
HAND PAINTED CANVAS ART  
CHAMPAGNE  
50" x 70"



**A20HG5070S**  
HAND PAINTED CANVAS ART  
SILVER  
50" x 70"





**A03HG4060C**  
HAND PAINTED CANVAS ART  
CHAMPAGNE  
40" x 60"



**A09HG3648C**  
HAND PAINTED CANVAS ART  
CHAMPAGNE  
36" x 48"



**A23HG4060S**  
HAND PAINTED CANVAS ART  
SILVER  
40" x 60"



**A21HG3648G**  
HAND PAINTED CANVAS ART  
GOLD  
36" x 48"



**A10HG4055C**  
HAND PAINTED CANVAS ART  
CHAMPAGNE  
40" x 55"



**A14HG4055C**  
HAND PAINTED CANVAS ART  
CHAMPAGNE  
40" x 55"



**A08HG4060C**  
HAND PAINTED CANVAS ART  
CHAMPAGNE  
40" x 60"



As solution providers to all of your onsite conditions, Century can simplify the FF&E process and shopping by providing all lighting for both public and private spaces. A true one-stop shop!

All products are UL, CSA approved and can have USB Ports, Outlets, Wireless charging integrated to any type of lamp. RGB lighting can also be made compatible for tablet control technologies.

Product List: night stand lamps, headboard reading lights, desk task/side table lamps, wall sconces, floor lamps, flushmounts, vanity lights, illuminated LED mirrors and any type of decorative ceiling fixtures.



## PROMOTING THE WELL BEING OF PATIENTS

Studies show that a well-designed lighting system can contribute to the reduction of medical errors, patient falls, pain, stress, depression and length of stay while also improving quality of life. A carefully designed environment in all types of healthcare facilities results in better working and living conditions.



## PEDIATRICS

We can supply fun and inventive fixtures. Customization without limits gives the advantage to use out of the ordinary ideas to create a shining light. We can also incorporate colour changing RGB into the pediatric patient rooms.

## BEHAVIORAL

By using light the right way we help our clients achieve their operational priorities, providing lighting oriented towards safety and prevention such as anti-suicide products .

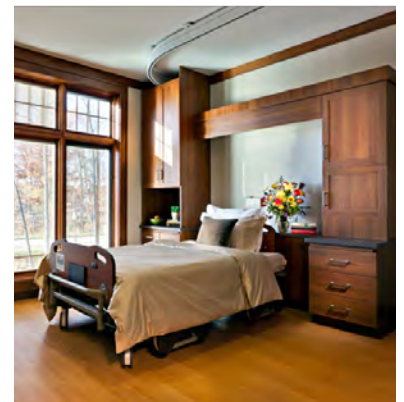


ELIMINATE BULB HAZARDS

FIXED WALL SCONCES

## CLINICAL

Giving patients more control of their environment is also considered beneficial. We have the ability to provide lighting solutions that simulate natural lighting conditions and warm to cool temperature transitions.





---

## LOW MAINTENANCE ENERGY-EFFICIENT SYSTEMS

Lighting represents at least 10% of energy consumption in a healthcare facility and also increases cooling demands because of the heat that it generates. The opportunities for energy and cost savings through energy-efficient lighting strategies are therefore extremely valuable. We insist on cost-effective lighting systems that can be maintained over a long period of time. These include installing low maintenance LEDs wherever appropriate.

When delivering any lighting scheme for the retrofit of existing facilities, we work closely with healthcare operators, architects and engineering design teams to help create the perfect conditions for the needs of different user groups.

---

### LED RETRO FITS PANELS

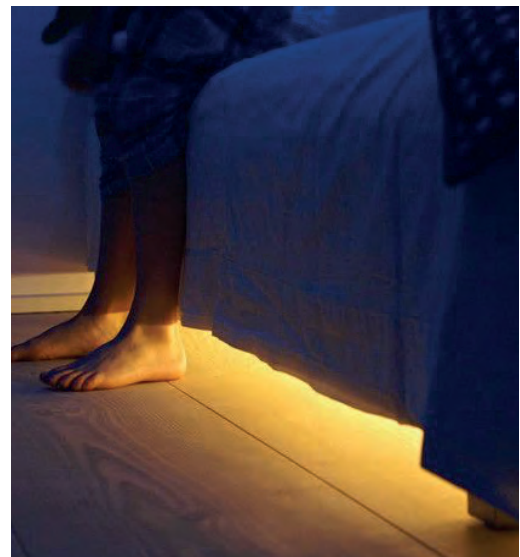
Our «Quick Snap» connection allows for easy and quick installations. Replace your old fluorescent bulbs with top of the line Led Board technology eliminating drivers and the hassle of maintenance. This energy efficient and cost effective Solution is the most convenient and aesthetically pleasing choice for your renovating client.



---

### LED MOTION SENSOR

Ease the concerns of your end users, Our Motion sensor Led Solution is the ideal way to create a safe and comfortable environment for your clients. The flexible component can be installed in any desired location, under the bed, side table or at the doorway for staff safety. Allow for a the soft natural light to illuminate the pathways without disrupting patient comfort.





CENTURY INDUSTRIES INC.  
5645 Ave. Royalmount  
Montreal, QC CANADA  
H4P 2P9

## BE SOCIAL

FOLLOW US  

@ CENTURYINDUSTRIESLIGHTING  
@ CENTURYHEALTHCARELIGHTING  
[WWW.CENTURYAMADEUS.COM](http://WWW.CENTURYAMADEUS.COM)  
[WWW.CENTURYLIGHTINGHC.COM](http://WWW.CENTURYLIGHTINGHC.COM)